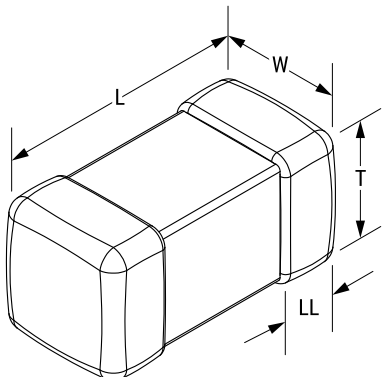


KEMET, Z-PWS, Ferrite Beads, Noise Suppression, 8 mOhms



Dimensions	
Chip Size	0805
L	2mm +/-0.2mm
W	1.25mm +/-0.2mm
T	0.85mm +/-0.2mm
B	0.5mm +/-0.3mm

Packaging Specifications	
Packaging:	T&R
Packaging Quantity:	4000

General Information	
Series:	Z-PWS
Style:	SMD Chip
Description:	Chip Bead, Power Line
Features:	Broadband
RoHS:	Yes

Specifications	
Impedance:	42 Ohms (100 mHz)
Impedance Tolerance:	25%
Ripple Current:	4000 mA (MAX)
Temperature Range:	-40/+125°C
Resistance:	0.008 Ohms

Statements of suitability for certain applications are based on our knowledge of typical operating conditions for such applications, but are not intended to constitute - and we specifically disclaim - any warranty concerning suitability for a specific customer application or use. This Information is intended for use only by customers who have the requisite experience and capability to determine the correct products for their application. Any technical advice inferred from this Information or otherwise provided by us with reference to the use of our products is given gratis, and we assume no obligation or liability for the advice given or results obtained.