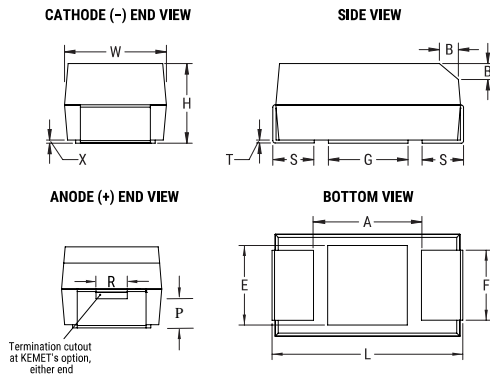


T498, Tantalum, MnO2 Tantalum, High Temperature, 22 uF, 20%, 35 VDC, SMD, MnO2, Molded, Hi-Temp, 150C, Auto, AEC-Q200, N/A, 500 mOhms, 7343, Height Max = 4.3mm



General Information	
Series:	T498
Dielectric:	MnO2 Tantalum
Style:	SMD Chip
Description:	SMD, MnO2, Molded, Hi-Temp, 150C, Auto, AEC-Q200
Features:	Automotive, 150C
RoHS:	Yes
Termination:	Tin
Qualifications:	AEC-Q200
AEC-Q200:	Yes
Shelf Life:	156 Weeks
MSL:	1

Dimensions	
Footprint	7343
L	7.3mm +/-0.3mm
W	4.3mm +/-0.3mm
H	4mm +/-0.3mm
T	0.13mm REF
S	1.3mm +/-0.3mm
F	2.4mm +/-0.1mm
A	3.8mm MIN
B	0.5mm +/-0.15mm
E	3.5mm REF
G	3.5mm REF
P	1.7mm REF
R	1mm REF
X	0.1mm +/-0.1mm

Specifications	
Capacitance:	22 uF
Capacitance Tolerance:	20%
Voltage DC:	35 VDC (85C), 28 VDC (125C), 23.45 VDC (150C)
Temperature Range:	-55/+150°C
Rated Temperature:	85°C
Dissipation Factor:	4.5% 120Hz 25C
Failure Rate:	N/A
Resistance:	500 mOhms (100kHz 25C)
Ripple Current:	574 mA (rms, 100kHz 25C), 516.6 mA (rms, 85C), 172.2 mA (rms, 150C)
Leakage Current:	7.7 uA (5min 25°C)

Packaging Specifications	
Weight:	652.04 mg
Packaging:	T&R, 178mm
Packaging Quantity:	500

Statements of suitability for certain applications are based on our knowledge of typical operating conditions for such applications, but are not intended to constitute - and we specifically disclaim - any warranty concerning suitability for a specific customer application or use. This Information is intended for use only by customers who have the requisite experience and capability to determine the correct products for their application. Any technical advice inferred from this Information or otherwise provided by us with reference to the use of our products is given gratis, and we assume no obligation or liability for the advice given or results obtained.