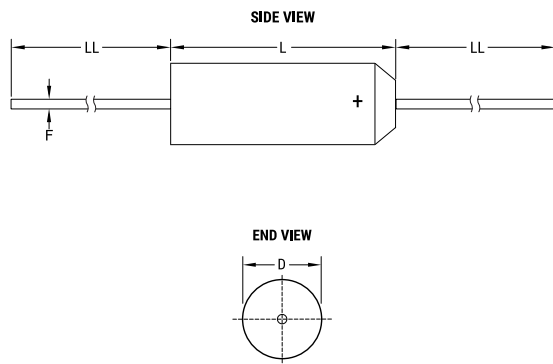


T322, Tantalum, MnO2 Tantalum, Commercial Grade, .68 uF, 10%, 50 VDC, 10 Ohms



| Dimensions | |
|------------|------------------|
| D | 2.79mm MAX |
| L | 7.37mm MAX |
| LL | 38.1mm +/-6.35mm |
| F | 0.51mm +/-0.05mm |

| Packaging Specifications | |
|--------------------------|-----------|
| Packaging: | Bulk, Bag |
| Packaging Quantity: | 250 |

| General Information | |
|---------------------|---|
| Series: | T322 |
| Dielectric: | MnO2 Tantalum |
| Style: | Axial |
| Description: | Axial, Solid Tantalum, Molded, Military (Non-ER), Low ESR |
| Features: | Low ESR |
| RoHS: | Yes |
| Termination: | Tin |
| Lead: | Wire Leads |
| AEC-Q200: | No |
| Notes: | Uninsulated |
| Shelf Life: | 156 Weeks |

| Specifications | |
|------------------------|--|
| Capacitance: | .68 uF |
| Capacitance Tolerance: | 10% |
| Voltage DC: | 50 VDC (85C), 33.35 VDC (125C Surge), 0.5 VDC (125C Reverse) |
| Temperature Range: | -55/+125°C |
| Rated Temperature: | 85°C |
| Dissipation Factor: | 3% |
| Resistance: | 10 Ohms (100kHz) |
| Leakage Current: | 0.5 uA (25°C) |

Statements of suitability for certain applications are based on our knowledge of typical operating conditions for such applications, but are not intended to constitute - and we specifically disclaim - any warranty concerning suitability for a specific customer application or use. This Information is intended for use only by customers who have the requisite experience and capability to determine the correct products for their application. Any technical advice inferred from this Information or otherwise provided by us with reference to the use of our products is given gratis, and we assume no obligation or liability for the advice given or results obtained.