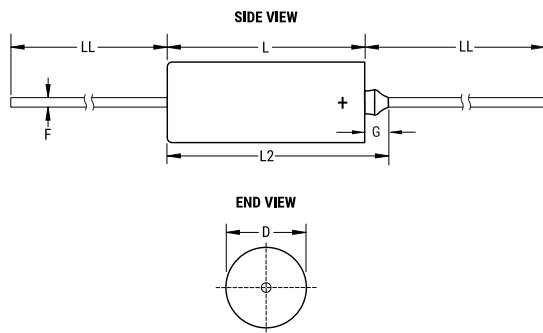


KEMET Part Number: M39003/01-3131
(T212B395K075SS, CSR13H395KS)



T212 CSR13, Tantalum, MnO2 Tantalum, Military/High Reliability, 3.9 uF, 10%, 75 VDC, 3 Ohms



| Dimensions | |
|------------|-------------------|
| D | 4.7mm +/-0.25mm |
| L | 12.04mm +/-0.79mm |
| L2 | 15.49mm |
| LL | 38.1mm +/-6.35mm |
| F | 0.51mm +/-0.05mm |
| G | 3.45mm +0.79mm |

| Packaging Specifications | |
|--------------------------|-----------|
| Packaging: | Bulk, Box |
| Packaging Quantity: | 75 |

| General Information | |
|---------------------|---|
| Series: | T212 CSR13 |
| Dielectric: | MnO2 Tantalum |
| Style: | Axial Hermetic |
| Description: | Axial, Solid Tantalum, Hermetically Sealed, Military, CSR13 Style |
| Features: | Low Leakage |
| RoHS: | No |
| Prop 65: | WARNING: Cancer and reproductive harm - www.p65warnings.ca.gov . |
| REACH: | SVHC (Pb – CAS 7439-92-1) |
| SCIP Number: | bee1eed4-5fec-4214-9f43-620c5b22071f |
| Termination: | Lead (SnPb) |
| Lead: | Wire Leads |
| Qualifications: | MIL-PRF-39003, CSR13 Style |
| AEC-Q200: | No |
| Construction: | Hermetic |
| Notes: | Dimensions Include Insulating Sleeve. Lead Length Shown Is For Parts Supplied With Bulk Packaging, When Supplied On T&R Or Ammo, Lead Length Is Determined By Taping Specification. |

| Specifications | |
|--------------------------|--|
| Capacitance: | 3.9 uF |
| Capacitance Tolerance: | 10% |
| Voltage DC: | 75 VDC (85C), 64 VDC (125C Surge), 0.75 VDC (125C Reverse) |
| Temperature Range: | -55/+125°C |
| Dissipation Factor: | 4% |
| Failure Rate: | S (0.001%/1000 Hrs) |
| Resistance: | 3 Ohms (100kHz) |
| Ripple Current: | 183 mAmps (100kHz) |
| Leakage Current: | 1.5 uA |
| Testing and Reliability: | Standard Testing To MIL-PRF-39003 |

Statements of suitability for certain applications are based on our knowledge of typical operating conditions for such applications, but are not intended to constitute - and we specifically disclaim - any warranty concerning suitability for a specific customer application or use. This Information is intended for use only by customers who have the requisite experience and capability to determine the correct products for their application. Any technical advice inferred from this Information or otherwise provided by us with reference to the use of our products is given gratis, and we assume no obligation or liability for the advice given or results obtained.

