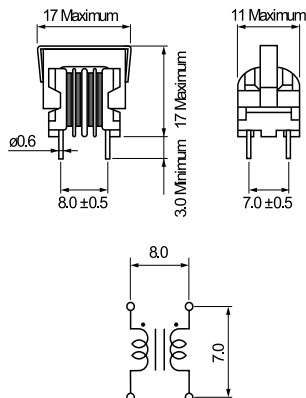


**KEMET Part Number: SU9VF-01250**  
(UALSU9VF012500)

**KEMET**

a YAGEO company

KEMET, SU-9VF/9HF, AC Line Filters, Common Mode, 0.025 mH



Dimensions	
L	17mm MAX
T	11mm MAX
H	17mm MAX
LL	3mm MIN
S	8mm +/-0.5mm
S1	7mm +/-0.5mm

Packaging Specifications	
Packaging:	Tray
Weight:	3.2 g

General Information	
Series:	SU-9VF/9HF
Style:	Through-Hole
RoHS:	Yes
Miscellaneous:	Temperature Rise Maximum: 40 K

Specifications	
Voltage AC:	250 VAC
Inductance:	25 uH
Current:	100 mA
Temperature Range:	-25/+120°C
DC Resistance:	9 Ohms

Statements of suitability for certain applications are based on our knowledge of typical operating conditions for such applications, but are not intended to constitute - and we specifically disclaim - any warranty concerning suitability for a specific customer application or use. This Information is intended for use only by customers who have the requisite experience and capability to determine the correct products for their application. Any technical advice inferred from this Information or otherwise provided by us with reference to the use of our products is given gratis, and we assume no obligation or liability for the advice given or results obtained.

**KEMET**

a YAGEO company