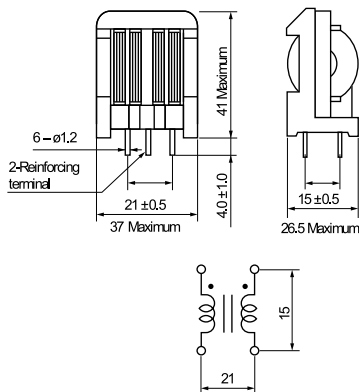


KEMET Part Number: SS35V-30082 Not for New Design
(UAL35V30082000, SS35V/H-30082)

KEMET
a YAGEO company

KEMET, SS35V/35H, AC Line Filters, Common Mode, 8.2 mH



General Information

Series:	SS35V/35H
Style:	Through-Hole
RoHS:	Yes
Miscellaneous:	Inductance Measurement Condition: 1kHz 1V KC530

Specifications

Voltage AC:	250 VAC
Inductance:	8.2 mH
Current:	3 A
Temperature Range:	-25/+120°C
DC Resistance:	150 mOhms

Dimensions

L	37mm MAX
T	26.5mm MAX
H	41mm MAX
LL	4mm +/-1mm
S	21mm +/-0.5mm
S1	15mm +/-0.5mm

Packaging Specifications

Weight:	59 g
----------------	------

Statements of suitability for certain applications are based on our knowledge of typical operating conditions for such applications, but are not intended to constitute - and we specifically disclaim - any warranty concerning suitability for a specific customer application or use. This Information is intended for use only by customers who have the requisite experience and capability to determine the correct products for their application. Any technical advice inferred from this Information or otherwise provided by us with reference to the use of our products is given gratis, and we assume no obligation or liability for the advice given or results obtained.

KEMET
a YAGEO company