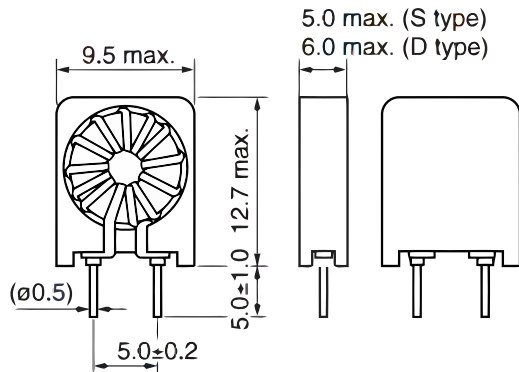


KEMET Part Number: SNT-D10
(UDLSNT0D100000)

KEMET, SNT, DC Line Filters, Common Mode, 2500 nH



General Information	
Series:	SNT
Style:	Through-Hole
RoHS:	Yes

Specifications	
Inductance:	2.5 uH
Temperature Range:	-20/+60°C
DC Resistance:	25 mOhms

Dimensions	
L	9.5mm MAX
W	6mm MAX
T	6mm MAX
H	12.7mm MAX
LL	5mm +/-1mm
S	5mm +/-0.2mm

Packaging Specifications	
Packaging:	Bulk
Packaging Quantity:	100
Weight:	1.08 g