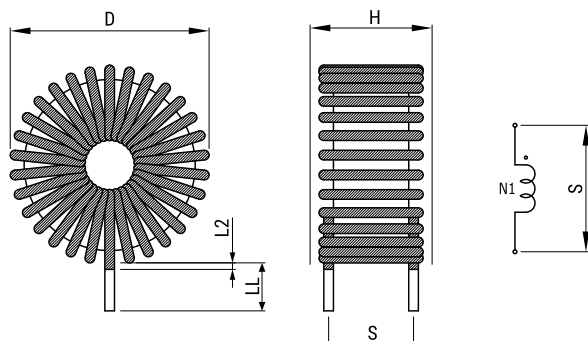


KEMET Part Number: SN5-400
(UALSN540000000)

KEMET
a YAGEO company

KEMET, SN, AC Line Filters, Normal Mode, 0.048 mH, MIN



Dimensions

D	13mm MAX
H	8mm MAX
LL	20mm +/-2mm
S	6mm NOM
L2	1.5mm MAX

Packaging Specifications

Packaging:	Bulk
Packaging Quantity:	4800
Weight:	3 g

General Information

Series:	SN
Style:	Through-Hole
Features:	Compact Size
RoHS:	Yes
Miscellaneous:	22 (K) Temperature Rise Max.

Specifications

Inductance:	48 uH (0.1 MHz)
Inductance Tolerance:	MIN
Current:	2 A
Temperature Range:	-25/+105°C
DC Resistance:	58 mOhms

Statements of suitability for certain applications are based on our knowledge of typical operating conditions for such applications, but are not intended to constitute - and we specifically disclaim - any warranty concerning suitability for a specific customer application or use. This Information is intended for use only by customers who have the requisite experience and capability to determine the correct products for their application. Any technical advice inferred from this Information or otherwise provided by us with reference to the use of our products is given gratis, and we assume no obligation or liability for the advice given or results obtained.

KEMET
a YAGEO company