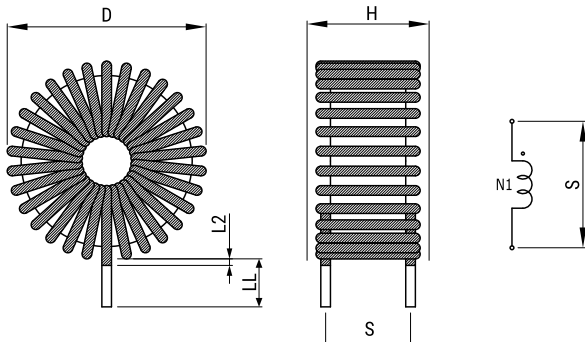


**KEMET Part Number: SN3-300**  
(UALSN330000000)

KEMET, SN, AC Line Filters, Normal Mode, 0.02 mH



#### Dimensions

<b>D</b>	8.5mm MAX
<b>H</b>	5.5mm MAX
<b>LL</b>	20mm +/-2mm
<b>S</b>	5mm NOM
<b>L2</b>	2mm MAX

#### Packaging Specifications

<b>Packaging:</b>	Bulk
<b>Weight:</b>	800 mg

#### General Information

<b>Series:</b>	SN
<b>Style:</b>	Through-Hole
<b>Features:</b>	Compact Size
<b>RoHS:</b>	Yes
<b>Miscellaneous:</b>	Temperature Rise Maximum: 45 K

#### Specifications

<b>Inductance:</b>	20 uH (0.1 MHz)
<b>Current:</b>	500 mA
<b>Temperature Range:</b>	-25/+105°C
<b>DC Resistance:</b>	0.15 mOhms

Statements of suitability for certain applications are based on our knowledge of typical operating conditions for such applications, but are not intended to constitute - and we specifically disclaim - any warranty concerning suitability for a specific customer application or use. This Information is intended for use only by customers who have the requisite experience and capability to determine the correct products for their application. Any technical advice inferred from this Information or otherwise provided by us with reference to the use of our products is given gratis, and we assume no obligation or liability for the advice given or results obtained.