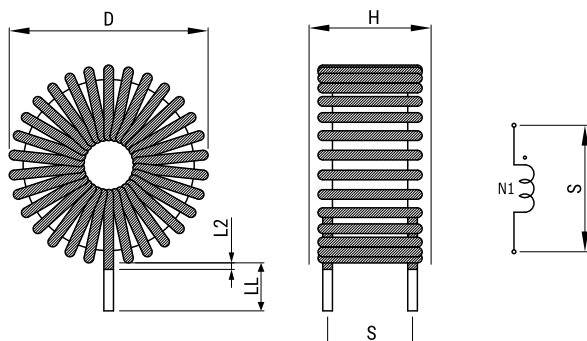


KEMET Part Number: SN12-800
(UALSN128000000)

KEMET, SN, AC Line Filters, Normal Mode, 0.25 mH



Dimensions

D	28mm MAX
H	15mm MAX
LL	20mm +/-2mm
S	10mm NOM
L2	2mm MAX

Packaging Specifications

Packaging:	Bulk
Weight:	23.7 g

General Information

Series:	SN
Style:	Through-Hole
Features:	Compact Size
RoHS:	Yes
Miscellaneous:	Temperature Rise Maximum: 45 K

Specifications

Inductance:	250 uH (0.1 MHz)
Current:	5 A
Temperature Range:	-25/+105°C
DC Resistance:	0.06 mOhms