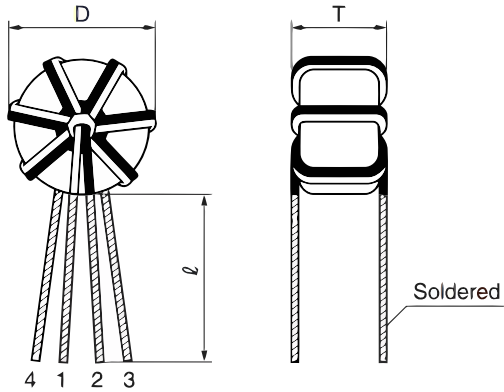


KEMET Part Number: SHO-402
(UDLSHO04020000, SHO402)

KEMET
a YAGEO company

KEMET, SHO, DC Line Filters, Common Mode, 99 uH



General Information	
Series:	SHO
Style:	Through-Hole
RoHS:	Yes

Specifications	
Voltage DC:	50 VDC
Inductance:	99 uH
Temperature Range:	-25/+80°C
DC Resistance:	120 mOhms

Dimensions	
L	7.5mm MAX
T	5mm MAX
H	7.5mm MAX
LL	4mm +/-2mm

Packaging Specifications	
Packaging:	Bulk, Box
Packaging Quantity:	6000
Weight:	370 mg

Statements of suitability for certain applications are based on our knowledge of typical operating conditions for such applications, but are not intended to constitute - and we specifically disclaim - any warranty concerning suitability for a specific customer application or use. This Information is intended for use only by customers who have the requisite experience and capability to determine the correct products for their application. Any technical advice inferred from this Information or otherwise provided by us with reference to the use of our products is given gratis, and we assume no obligation or liability for the advice given or results obtained.

KEMET
a YAGEO company