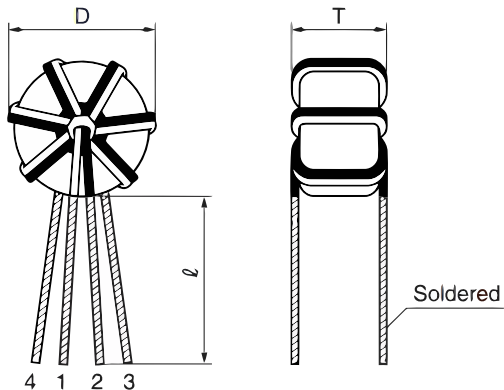


KEMET Part Number: SHO-302
(UDLSHO03020000, SHO302)

KEMET, SHO, DC Line Filters, Common Mode, 3900 nH



General Information	
Series:	SHO
Style:	Through-Hole
RoHS:	Yes

Specifications	
Voltage DC:	50 VDC
Inductance:	3.9 uH
Temperature Range:	-25/+70°C
DC Resistance:	10 mOhms

Dimensions	
L	11mm MAX
T	7.5mm MAX
H	11mm MAX
LL	10mm +/-3mm

Packaging Specifications	
Packaging:	Bulk, Box
Packaging Quantity:	6000
Weight:	1.05 g