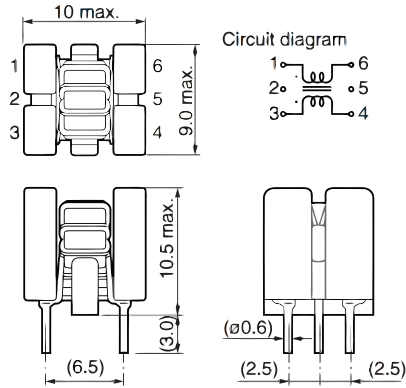


KEMET Part Number: SH-132
(JDLSH001320000)

KEMET, SH, DC Line Filters, Common Mode, 2600 nH



General Information	
Series:	SH
Style:	Through-Hole
RoHS:	Yes
Miscellaneous:	For 2 Lines

Specifications	
Voltage DC:	50 VDC
Inductance:	2.6 uH
Temperature Range:	-25/+60°C
DC Resistance:	51 mOhms

Dimensions	
L	9mm MAX
W	10mm MAX
H	10.5mm MAX
LL	3mm +/-0.7mm
S	6.5mm MAX

Packaging Specifications	
Packaging:	Bulk, Box
Packaging Quantity:	3000
Weight:	1.1 g

Statements of suitability for certain applications are based on our knowledge of typical operating conditions for such applications, but are not intended to constitute - and we specifically disclaim - any warranty concerning suitability for a specific customer application or use. This Information is intended for use only by customers who have the requisite experience and capability to determine the correct products for their application. Any technical advice inferred from this Information or otherwise provided by us with reference to the use of our products is given gratis, and we assume no obligation or liability for the advice given or results obtained.