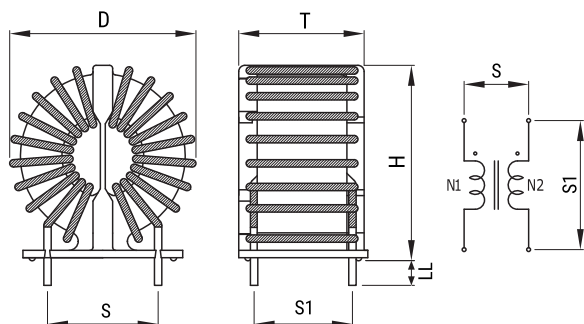


**KEMET Part Number: SC-02-E115J**  
(UALSC02E115J00)

KEMET, SC-J, AC Line Filters, Common Mode, 11.5 mH



Dimensions	
D	25mm MAX
T	15.4mm MAX
H	27.5mm MAX
LL	3.5mm +/-1mm
S	13mm NOM
S1	11mm NOM

Packaging Specifications	
Packaging:	Tray
Packaging Quantity:	400
Weight:	13 g

General Information	
Series:	SC-J
Style:	Through-Hole
RoHS:	Yes
Notes:	Lead Spacing (S/S1) Are For Reference Only.
Miscellaneous:	Temperature Rise Maximum: 55 K

Specifications	
Voltage AC:	250 VAC
Inductance:	11.5 mH (10 kHz)
Current:	2 A
Temperature Range:	-25/+120°C
DC Resistance:	155 mOhms