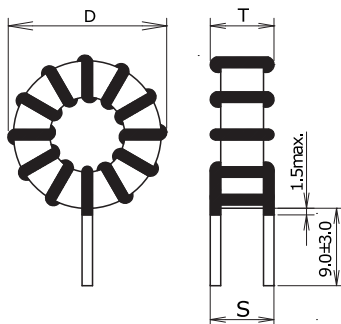


KEMET Part Number: PHBC8S-0R6A0024V
(UALP8S0R6A0024)

KEMET

a YAGEO company

KEMET, PHBC, AC Line Filters, Normal Mode, 0.024 mH, 20%



Dimensions

D	16mm MAX
T	8.8mm MAX
LL	9mm +/-3mm
S	7mm NOM

Packaging Specifications

Packaging:	Tray
Packaging Quantity:	700
Weight:	4 g

General Information

Series:	PHBC
Style:	Through-Hole
Features:	Switching Power Supply Outlet, DC-DC Converter, Phase Compensation, Noise Solution
RoHS:	Yes
Miscellaneous:	15 (K) Temperature Rise Max.

Specifications

Inductance:	24 uH (0.1 MHz)
Inductance Tolerance:	20%
Current:	2 A
Temperature Range:	-40/+125°C
DC Resistance:	41.1 mOhms

Statements of suitability for certain applications are based on our knowledge of typical operating conditions for such applications, but are not intended to constitute - and we specifically disclaim - any warranty concerning suitability for a specific customer application or use. This Information is intended for use only by customers who have the requisite experience and capability to determine the correct products for their application. Any technical advice inferred from this Information or otherwise provided by us with reference to the use of our products is given gratis, and we assume no obligation or liability for the advice given or results obtained.

KEMET

a YAGEO company