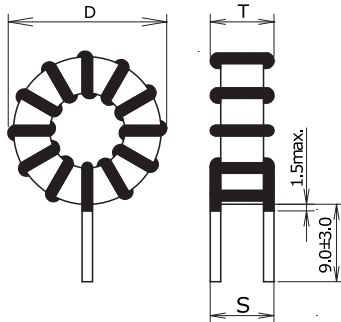


KEMET Part Number: PHBC13-1R2A0081V
(UALP131R2A0081)

KEMET, PHBC, AC Line Filters, Normal Mode, 0.081 mH, 20%



Dimensions

D	30mm MAX
T	15.7mm MAX
LL	9mm +/-3mm
S	11mm NOM

Packaging Specifications

Packaging:	Tray
Packaging Quantity:	150
Weight:	30 g

General Information

Series:	PHBC
Style:	Through-Hole
Features:	Switching Power Supply Outlet, DC-DC Converter, Phase Compensation, Noise Solution
RoHS:	Yes
Miscellaneous:	30 (K) Temperature Rise Max.

Specifications

Inductance:	81 uH (0.1 MHz)
Inductance Tolerance:	20%
Current:	6 A
Temperature Range:	-40/+125°C
DC Resistance:	24.7 mOhms