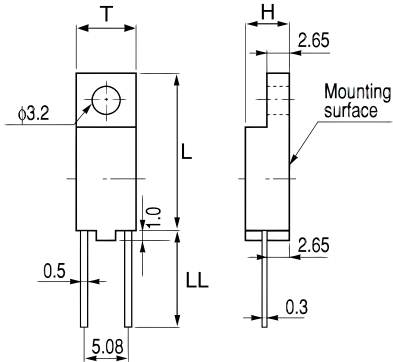


**KEMET Part Number: OHD5R-75B**  
(USEO5R75B00000)



KEMET, OHD, Thermal Reed Switch, Radial, 5C Temperature Accuracy, High Reliability, High-Speed Response, Long Operational Life, Excellent Environmental Durability, High Temperature Accuracy, 75°C, Break



General Information	
<b>Series:</b>	OHD
<b>Type:</b>	Thermal Reed Switch
<b>Style:</b>	Radial
<b>Description:</b>	Thermal Guard
<b>Features:</b>	High Reliability, High-Speed Response, Long Operational Life, Excellent Environmental Durability, High Temperature Accuracy
<b>Lead:</b>	Wire Leads
<b>RoHS:</b>	Yes

Dimensions	
<b>L</b>	18.1mm
<b>H</b>	5mm
<b>T</b>	6.7mm
<b>LL</b>	10mm

Packaging Specifications	
<b>Packaging:</b>	Tray, Box
<b>Packaging Quantity:</b>	700
<b>Weight:</b>	1.1 g

Specifications	
<b>Switching Temperature:</b>	75C +/-5C
<b>Temperature Range:</b>	-20/+150°C
<b>Contact Type:</b>	Break
<b>Voltage DC:</b>	30 VDC MAX (Opening/Closing), 1500 VAC /1 minute or 1800 VAC /1 second
<b>Current:</b>	0.1 Amps DC MAX (Opening/ Closing), 0.1 mAmps MIN (1VDC, Opening/Closing)
<b>Resistance:</b>	300 mOhms MAX (Contact Resistance)
<b>Max Opening/Closing Power:</b>	1 W (DC)
<b>Max Opening/Closing Voltage:</b>	30 V (DC)
<b>Differential Temperature:</b>	10C Maximum

Statements of suitability for certain applications are based on our knowledge of typical operating conditions for such applications, but are not intended to constitute - and we specifically disclaim - any warranty concerning suitability for a specific customer application or use. This Information is intended for use only by customers who have the requisite experience and capability to determine the correct products for their application. Any technical advice inferred from this Information or otherwise provided by us with reference to the use of our products is given gratis, and we assume no obligation or liability for the advice given or results obtained.

