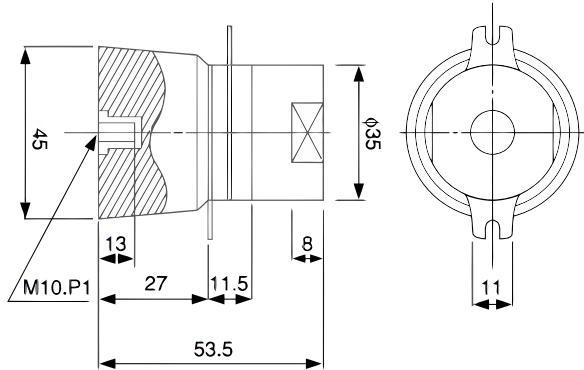


KEMET Part Number: NBL45402H-A
(UPCNBL45402HA0)

KEMET, NBL, Transducers, Single-layer



Dimensions

D	45mm NOM
L	53.5mm NOM

Packaging Specifications

Weight:	240
Packaging:	Bulk Tray, Box
Packaging Quantity:	30

General Information

Style:	Bolt-On
Description:	Langevin Bolt-On Transducers
RoHS:	Yes
Notes:	Horn Construction; Output Surface Has Step Or Horn Shape

Specifications

Series:	NBL
Capacitance:	4000 pF
Resonant Frequency:	40.2 kHz
Dynamic Admittance:	15msec
Mechanical Q:	500 Qm
Allowable Velocity:	50 cm/S
Allowable Power:	50
Temperature Range:	-40/+120C