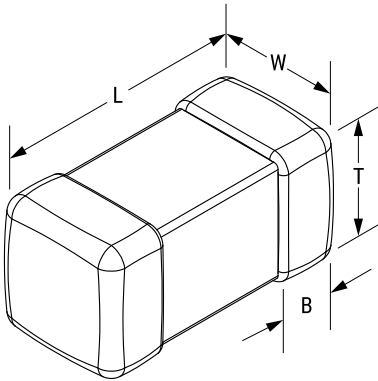


KEMET Part Number: L0806BR47JSWST
(L0806BR47JSWST)

KEMET, L-SWS, Commercial Grade, 0.47 uH, 5%



Dimensions

Dimensions	
Chip Size	0806
L	2mm +/-0.2mm
W	1.6mm +/-0.2mm
T	1.6mm +/-0.2mm
B	0.5mm +/-0.2mm

Packaging Specifications

Packaging:	T&R
Packaging Quantity:	2000

General Information

Series:	L-SWS
Style:	SMD Chip
RoHS:	Yes

Specifications

Inductance:	0.47 uH
Inductance Tolerance:	5%
Temperature Range:	-40/+105°C
Current:	430 mAmps (MAX)
DC Resistance:	0.26 Ohms
Self-Resonant Frequency:	350 MHz MIN