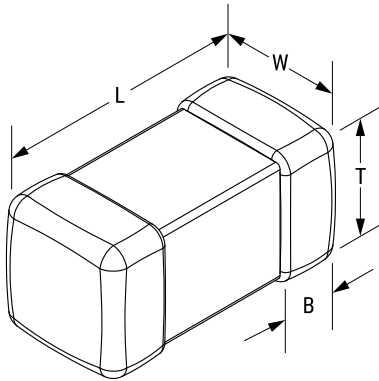


KEMET Part Number: L0805C100MDWIT
(L0805C100MDWIT)

KEMET, L-DWI, Power, 10 uH, 20%



| Dimensions | |
|------------|-----------------|
| Chip Size | 0805 |
| L | 2mm +/-0.2mm |
| W | 1.25mm +/-0.2mm |
| T | 1.25mm +/-0.2mm |
| LL | 0.5mm +/-0.2mm |
| B | 0.5mm +/-0.2mm |

| Packaging Specifications | |
|--------------------------|------|
| Packaging: | T&R |
| Packaging Quantity: | 3000 |

| General Information | |
|---------------------|------------------------|
| Series: | L-DWI |
| Style: | SMD Chip |
| Description: | Surface Mount Inductor |
| Features: | High Current Type |
| RoHS: | Yes |

| Specifications | |
|--------------------------|--|
| Inductance: | 10 uH (2.52 MHz) |
| Inductance Tolerance: | 20% |
| Temperature Range: | -40/+105°C |
| Current: | 240 mAmps (Isat, 30% Drop In Inductance), 340 mAmps (Irms, 40C Rise By Self Heating) |
| DC Resistance: | 1.2 Ohms |
| Self-Resonant Frequency: | 40 MHz |