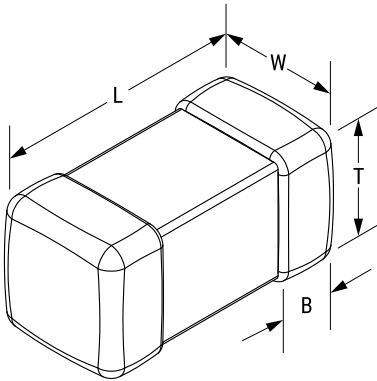


KEMET Part Number: L0402C68NJRMST Not for New Design
(L0402C68NJRMST)

KEMET
a YAGEO company

KEMET, L-RMS, RF, 0.068 uH, 5%



| Dimensions | |
|------------|-----------------|
| Chip Size | 0402 |
| L | 1mm +/-0.05mm |
| W | 0.5mm +/-0.05mm |
| T | 0.5mm +/-0.05mm |
| LL | 0.25mm +/-0.1mm |
| B | 0.25mm +/-0.1mm |

| Packaging Specifications | |
|--------------------------|-------|
| Packaging: | T&R |
| Packaging Quantity: | 10000 |

| General Information | |
|---------------------|------------------------|
| Series: | L-RMS |
| Style: | SMD Chip |
| Description: | Surface Mount Inductor |
| RoHS: | Yes |
| Core: | Ceramic |
| Winding Type: | Multilayer |

| Specifications | |
|--------------------------|--|
| Inductance: | 0.068 uH |
| Inductance Tolerance: | 5% |
| Temperature Range: | -55/+125°C |
| Current: | 180 mAmps (MAX) |
| DC Resistance: | 1.2 Ohms |
| Quality Factor: | 11 at 100 MHz, 17 at 500 MHz, 18 at 800 MHz, 11 at 1000 MHz |
| Self-Resonant Frequency: | 750 MHz |

Statements of suitability for certain applications are based on our knowledge of typical operating conditions for such applications, but are not intended to constitute - and we specifically disclaim - any warranty concerning suitability for a specific customer application or use. This Information is intended for use only by customers who have the requisite experience and capability to determine the correct products for their application. Any technical advice inferred from this Information or otherwise provided by us with reference to the use of our products is given gratis, and we assume no obligation or liability for the advice given or results obtained.

KEMET
a YAGEO company