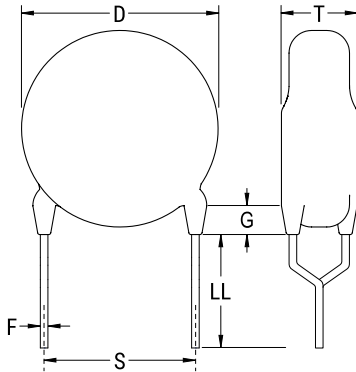


KHC DISC Comm SL HV, Ceramic, 100 pF, 10%, 1000 VDC, SL, Lead Spacing = 5mm



Dimensions	
D	6.5mm MAX
T	4.5mm MAX
S	5mm NOM
LL	5mm NOM
F	0.6mm +/-0.1mm

Packaging Specifications	
Packaging:	Bulk, Bag

General Information	
Series:	KHC DISC Comm SL HV
Style:	Radial Disc
RoHS:	Yes
Termination:	Tin
Failure Rate:	N/A
AEC-Q200:	No
Miscellaneous:	Climate Category: 55/125/21.

Specifications	
Capacitance:	100 pF
Capacitance Tolerance:	10%
Voltage DC:	1000 VDC
Dielectric Withstanding Voltage:	2000 VDC
Temperature Range:	-25/+85°C
Temperature Coefficient:	SL
Dissipation Factor:	2.5%
Insulation Resistance:	10 GOhms

Statements of suitability for certain applications are based on our knowledge of typical operating conditions for such applications, but are not intended to constitute - and we specifically disclaim - any warranty concerning suitability for a specific customer application or use. This Information is intended for use only by customers who have the requisite experience and capability to determine the correct products for their application. Any technical advice inferred from this Information or otherwise provided by us with reference to the use of our products is given gratis, and we assume no obligation or liability for the advice given or results obtained.