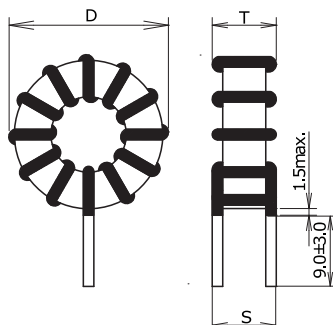


KEMET Part Number: HHBC20-1R7A0152V
(UALC201R7A0152)

KEMET

a YAGEO company

KEMET, HHBC, AC Line Filters, Normal Mode, 0.152 mH, 20%



Dimensions

D	41.2mm MAX
T	20.4mm MAX
LL	9mm +/-3mm
S	15mm NOM

Packaging Specifications

Packaging:	Tray
Packaging Quantity:	80
Weight:	72 g

General Information

Series:	HHBC
Style:	Through-Hole
Features:	Noise Solution, Switching Power Supply Outlets, DC-DC Converter
RoHS:	Yes
Miscellaneous:	60 (K) Temperature Rise Max.

Specifications

Inductance:	152 uH
Inductance Tolerance:	20%
Current:	12 A
Temperature Range:	-40/+125°C
DC Resistance:	20.4 mOhms

Statements of suitability for certain applications are based on our knowledge of typical operating conditions for such applications, but are not intended to constitute - and we specifically disclaim - any warranty concerning suitability for a specific customer application or use. This Information is intended for use only by customers who have the requisite experience and capability to determine the correct products for their application. Any technical advice inferred from this Information or otherwise provided by us with reference to the use of our products is given gratis, and we assume no obligation or liability for the advice given or results obtained.

KEMET

a YAGEO company