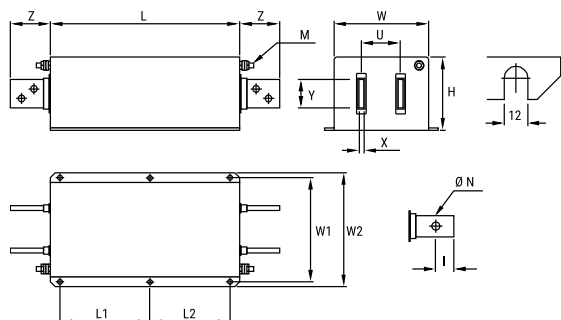


KEMET, FLLE2-PV, EMI/RFI Filters, Noise Suppression, 300 V, 400 A, 300x130x100mm



General Information	
Series:	FLLE2-PV
Style:	Chassis Mount
Description:	EMI Filter, Without Y Capacitor
Features:	Single Phase, Photovoltaic Applications
Phase:	Single-phase
RoHS:	Yes
Qualifications:	IEC/EN 60939, UL 1283
Terminal Type:	Threaded Studs M10

Dimensions	
L	300mm NOM
W	130mm NOM
H	100mm NOM
L1	130mm NOM
L2	110mm NOM
W1	165mm NOM
W2	180mm NOM
U	70mm NOM
X	6mm NOM
Y	25mm NOM
Z	58mm NOM
I	15mm NOM
N	10.5mm NOM
M (Earth)	Threaded Studs M10

Specifications	
Voltage DC:	300 VDC
Rated Current:	400 A (50°C)
Rated Temperature:	55°C
Temperature Range:	-40/+100°C
Climate Category:	40/100/21
Test Voltage DC (P to P):	3000 VDC
Test Voltage DC (P to E):	3600 VDC
Power Loss:	15 W (25°C 50 Hz)

Packaging Specifications	
Packaging:	Bulk
Packaging Quantity:	1
Component Weight:	7 kg

Statements of suitability for certain applications are based on our knowledge of typical operating conditions for such applications, but are not intended to constitute - and we specifically disclaim - any warranty concerning suitability for a specific customer application or use. This Information is intended for use only by customers who have the requisite experience and capability to determine the correct products for their application. Any technical advice inferred from this Information or otherwise provided by us with reference to the use of our products is given gratis, and we assume no obligation or liability for the advice given or results obtained.