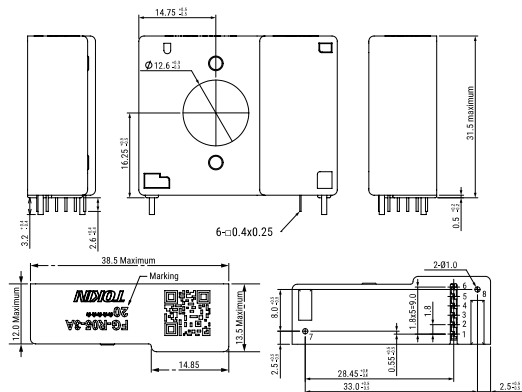


KEMET Part Number: FG-R05-3A
(USETR053AA0000)



KEMET, FG, Current, Through-Hole, Residual, Open-loop, Fluxgate-Based Current Detection, PCB Mounting



General Information	
Series:	FG
Type:	Current
Style:	Through-Hole
Description:	Fluxgate-Based Residual Current Sensor
Features:	Open-loop, Fluxgate-Based Current Detection, PCB Mounting
Lead:	6 Pin
RoHS:	Yes

Dimensions	
D	12.6mm NOM
L	31.5mm MAX
W	38.5mm MAX
T	13.5mm MAX
LL	3.2mm +/-0.4mm

Packaging Specifications	
Packaging:	Tray, Box
Packaging Quantity:	300
Weight:	20 g

Specifications	
Temperature Range:	-40/+85°C
Voltage DC:	2.25 V (PIN3, Analog Output; typical)
Power Supply Voltage:	5 V +/- 5%
Current:	6 mA (MAX; DC Detection), 20 mArms (MAX, 55 Hz; AC Detection)
Sensitivity:	40 V/A (PIN3, AOUT; typical)
Frequency Range:	150 Hz MAX (at -3 dB; PIN3 AOUT)
Measuring Range:	+/-50 mA
AC Alarm Response Time:	60 typical, 250 maximum (ms, @30 mArms); 20 typical, 100 maximum (ms, @60 mArms); 8 typical, 20 maximum (ms, @150 mArms); 7 typical, 10 maximum (ms, @264 mArms); 7 typical, 10 maximum (ms, > 5 Arms)
DC Alarm Response Time:	280 typical, 1000 maximum (ms, @6 mA); 24 typical, 250 maximum (ms, @60 mA); 6 typical, 15 maximum (ms, @300 mA)

Statements of suitability for certain applications are based on our knowledge of typical operating conditions for such applications, but are not intended to constitute - and we specifically disclaim - any warranty concerning suitability for a specific customer application or use. This Information is intended for use only by customers who have the requisite experience and capability to determine the correct products for their application. Any technical advice inferred from this Information or otherwise provided by us with reference to the use of our products is given gratis, and we assume no obligation or liability for the advice given or results obtained.

