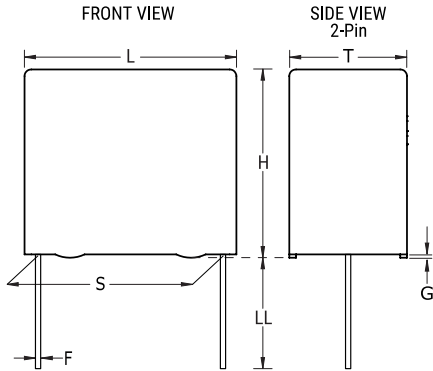


F862, Film, Metallized Polypropylene, Automotive Safety, 0.18 uF, 10%, 310 VAC (X2), 630 VDC, 110°C, Lead Spacing = 15mm



Dimensions	
L	18mm -0.5mm
H	14.5mm -0.5mm
T	8.5mm -0.5mm
S	15mm +/-0.4mm
LL	25mm +5mm
F	0.8mm +/-0.05mm
G	0.5mm NOM

Packaging Specifications	
Packaging:	Bulk, Bag
Packaging Quantity:	650

General Information	
Series:	F862
Dielectric:	Metallized Polypropylene
Style:	Radial
Features:	MKP EMI, Automotive Grade, Harsh Environmental Conditions, Heavy Duty
RoHS:	Yes
Lead:	Wire Leads
Safety Class:	X2
Qualifications:	ENEC, UL, cUL, CQC, AEC-Q200
AEC-Q200:	Yes
Halogen Free:	Yes
Miscellaneous:	ClimCat: 40/110/56/B.
Notes:	Not For New Design.
Shelf Life:	104 Weeks

Specifications	
Capacitance:	0.18 uF
Capacitance Tolerance:	10%
Voltage AC:	310 VAC (X2)
Voltage DC:	630 VDC
Temperature Range:	-40/+110°C
Rated Temperature:	110°C
Dissipation Factor:	0.3% 1kHz
Insulation Resistance:	30 GOhms
Max dV/dt:	400 V/us