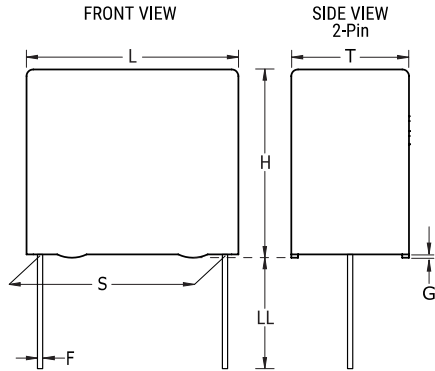


F611, Film, Metallized Polyester, General Purpose, 1.5 uF, 10%, 630 VDC, 85°C, Lead Spacing = 22.5mm



Dimensions	
L	26mm +0/-0.5mm
H	24.5mm +0/-0.5mm
T	15.5mm +0/-0.5mm
S	22.5mm +/-0.4mm
LL	17mm -1mm
F	0.8mm +/-0.05mm
G	0.5mm NOM

Packaging Specifications	
Packaging:	Pizza, Box
Packaging Quantity:	252

General Information	
Series:	F611
Dielectric:	Metallized Polyester
Style:	Radial
Features:	MKT (Wound), DC Multipurpose Applications
RoHS:	Yes
Lead:	Wire Leads
AEC-Q200:	No
Miscellaneous:	The Rated Voltage Decreases 1.25%/C Between +85C And +105C (For +125C, Please Consult Kemet). ClimCat: 55/105/56.

Specifications	
Capacitance:	1.5 uF
Capacitance Tolerance:	10%
Voltage AC:	220 VAC
Voltage DC:	630 VDC, 472.5 VDC (105C)
Temperature Range:	-55/+105°C
Rated Temperature:	85°C
Dissipation Factor:	1.2% 1kHz
Insulation Resistance:	6.667 GOhms
Max dV/dt:	12 V/us
Inductance:	6 nH