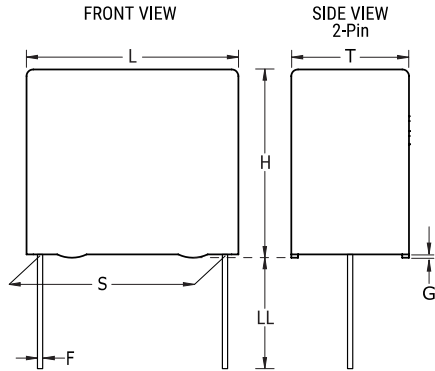


PHE450/F450, Film, Double Metallized Polypropylene, General Purpose, 1.2 uF, 5%, 1000 VDC, 85°C, Lead Spacing = 37.5mm



General Information	
Series:	PHE450/F450
Dielectric:	Double Metallized Polypropylene
Style:	Radial
Features:	Pulse
RoHS:	Yes
Lead:	Wire Leads
AEC-Q200:	No
Miscellaneous:	The Rated Voltage Decreases 1.3%/C Between +85C And +105C. Rthha= 19 C/W (85C), 0.2 m/s.

Dimensions	
L	41mm -0.7mm
H	36mm -0.7mm
T	19mm -0.7mm
S	37.5mm +0.4/-0.4mm
LL	18.5mm +0.5mm
F	1mm +/-0.05mm
G	0.5mm NOM

Specifications	
Capacitance:	1.2 uF
Capacitance Tolerance:	5%
Voltage AC:	600 VAC
Voltage DC:	1000 VDC (85C), 740 VDC (105C)
Temperature Range:	-55/+105°C
Rated Temperature:	85°C
Dissipation Factor:	0.03% 1kHz
Insulation Resistance:	25 GOhms
Max dV/dt:	800 V/us
Inductance:	6 nH

Packaging Specifications	
Packaging:	Pizza, Box
Packaging Quantity:	91