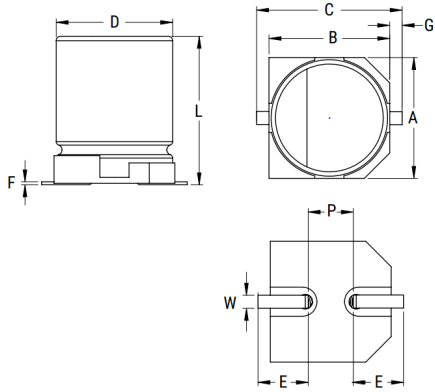


EXV, Aluminum Electrolytic, 470 uF, 20%, 16 VDC, -55/+105°C



**Dimensions**

|          |                 |
|----------|-----------------|
| <b>D</b> | 8mm +/-0.5mm    |
| <b>L</b> | 10.2mm +/-0.3mm |
| <b>W</b> | 0.9mm +/-0.2mm  |
| <b>F</b> | 0.3mm MAX       |
| <b>A</b> | 8.3mm +/-0.2mm  |
| <b>B</b> | 8.3mm +/-0.2mm  |
| <b>C</b> | 10mm MAX        |
| <b>E</b> | 3.4mm +/-0.2mm  |
| <b>G</b> | 0.7mm +/-0.2mm  |
| <b>P</b> | 3.1mm +/-0.2mm  |

**Packaging Specifications**

|                            |            |
|----------------------------|------------|
| <b>Packaging:</b>          | T&R, 380mm |
| <b>Packaging Quantity:</b> | 500        |

**General Information**

|                     |                                      |
|---------------------|--------------------------------------|
| <b>Series:</b>      | EXV                                  |
| <b>Dielectric:</b>  | Aluminum Electrolytic                |
| <b>Style:</b>       | SMD Can                              |
| <b>Description:</b> | Surface Mount, Aluminum Electrolytic |
| <b>RoHS:</b>        | Yes                                  |
| <b>Lead:</b>        | V-Chip                               |
| <b>AEC-Q200:</b>    | No                                   |

**Specifications**

|                                 |  |
|---------------------------------|--|
| <b>Capacitance:</b>             | 470 uF   |
| <b>Capacitance Tolerance:</b>   | 20%  |
| <b>Voltage DC:</b>              | 16 VDC, 20 VDC (Surge)                                       |
| <b>Temperature Range:</b>       | -55/+105°C   |
| <b>Rated Temperature:</b>       | 105°C  |
| <b>Dissipation Factor:</b>      | 16%  |
| <b>Resistance:</b>              | 0.16 Ohms (100kHz)   |
| <b>Ripple Current:</b>          | 420 mAmps (120Hz), 840 mAmps (120Hz 85C), 600 mAmps (100kHz) |
| <b>Leakage Current:</b>         | 75.5 uA (2min 20°C)  |
| <b>Impedance Ratio at -25C:</b> | 2  |
| <b>Impedance Ratio at -40C:</b> | 3  |
| <b>High Temperature Solder:</b> | Yes  |