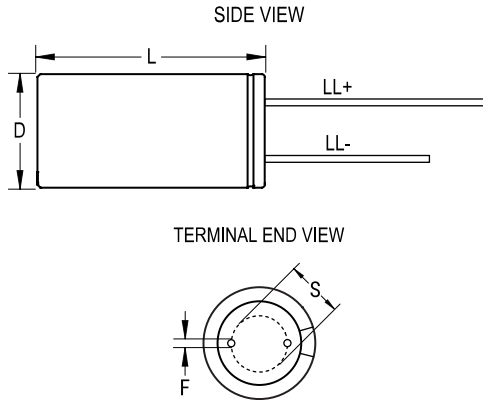


ESY, Aluminum Electrolytic, 1,000 uF, 20%, 63 VDC, -40/+105°C, Lead Spacing = 7.5mm



General Information	
Series:	ESY
Dielectric:	Aluminum Electrolytic
Description:	LowZ Single Ended Aluminum Electrolytic
Features:	Low Z
RoHS:	Yes
Lead:	Wire Leads
AEC-Q200:	No

Dimensions	
D	16mm +/-0.5mm
L	36mm +2mm
S	7.5mm +/-0.5mm
LL Negative	15mm MIN
LL Positive	20mm MIN
F	0.8mm NOM

Specifications	
Capacitance:	1,000 uF
Capacitance Tolerance:	20%
Voltage DC:	63 VDC, 79 VDC (Surge)
Temperature Range:	-40/+105°C
Rated Temperature:	105°C
Life:	5000 Hrs
Dissipation Factor:	9%
Resistance:	0.028 Ohms (100kHz)
Ripple Current:	2272 mAmps (100kHz 105C)
Leakage Current:	630 uA (2min 20°C)
Impedance Ratio at -25C:	2
Impedance Ratio at -40C:	3

Packaging Specifications	
Packaging:	Bulk, Bag
Packaging Quantity:	600