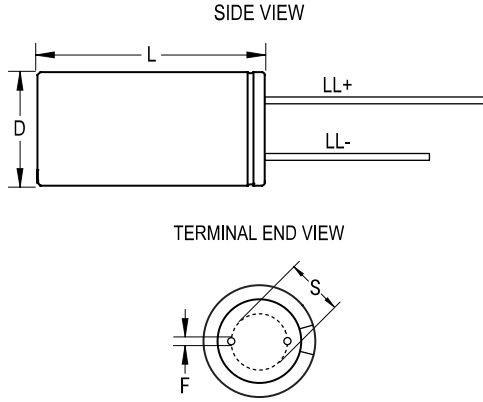


ESK, Aluminum Electrolytic, 1,000 uF, 20%, 6.3 VDC, -40/+85°C, Lead Spacing = 3.5mm



Dimensions	
D	8mm +/-0.5mm
L	11mm +1.5mm
S	3.5mm +/-0.5mm
LL Negative	15mm MIN
LL Positive	20mm MIN
F	0.6mm NOM

Packaging Specifications	
Packaging:	Bulk, Bag
Packaging Quantity:	6000

General Information	
Series:	ESK
Dielectric:	Aluminum Electrolytic
Description:	Single Ended, Aluminum Electrolytic
RoHS:	Yes
Lead:	Wire Leads
AEC-Q200:	No

Specifications	
Capacitance:	1,000 uF
Capacitance Tolerance:	20%
Voltage DC:	6.3 VDC, 8 VDC (Surge)
Temperature Range:	-40/+85°C
Rated Temperature:	85°C
Life:	2000 Hrs
Dissipation Factor:	24% 120Hz 20C
Ripple Current:	460 mAmps (120Hz 85C)
Leakage Current:	63 uA (2min 20°C)
Impedance Ratio at -25C:	8
Impedance Ratio at -40C:	10