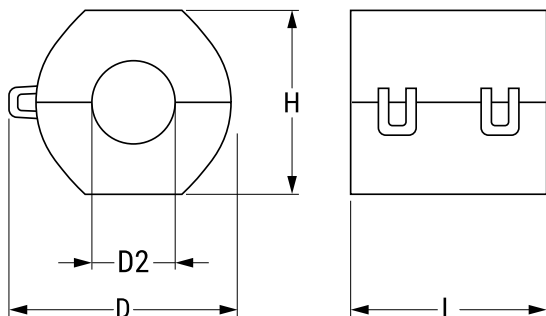


KEMET Part Number: ESD-SR-S16
(UECESDSRS16000)

KEMET

a YAGEO company

KEMET, ESD-SR, EMI Cores, Noise Suppression



General Information	
Series:	ESD-SR
Style:	Round - Snap-on
Cable Type:	Round Cable
Description:	EMI Core Split, For Round Cables, Snap-on Core
RoHS:	Yes
Qualifications:	UL94V-0
CTI:	Rank 0
Case Color:	Black
Materials:	Ni-Zn

Dimensions	
D2	8mm MAX
L	20.5mm MAX
T	23mm MAX
H	20mm MAX

Specifications	
Rated Temperature:	65°C
Temperature Range:	-40/+85°C

Packaging Specifications	
Packaging:	Tray, Box
Packaging Quantity:	280

Statements of suitability for certain applications are based on our knowledge of typical operating conditions for such applications, but are not intended to constitute - and we specifically disclaim - any warranty concerning suitability for a specific customer application or use. This Information is intended for use only by customers who have the requisite experience and capability to determine the correct products for their application. Any technical advice inferred from this Information or otherwise provided by us with reference to the use of our products is given gratis, and we assume no obligation or liability for the advice given or results obtained.

KEMET

a YAGEO company