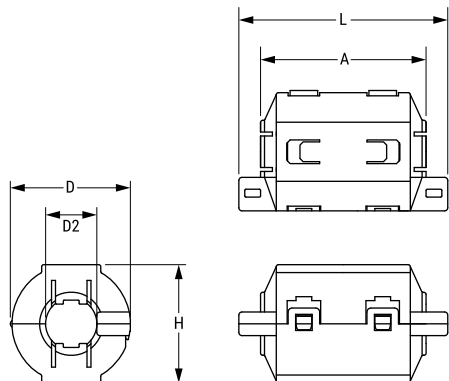


KEMET Part Number: ESD-SR-250HL
(UECESDSR250HL0)

KEMET

a YAGEO company

KEMET, ESD-SR-HL, EMI Cores, Noise Suppression



Dimensions	
D	30mm +/-1mm
D2	13mm +/-1mm
L	53mm +/-1mm
H	30mm +/-1mm
A	42mm +/-1mm

Packaging Specifications	
Packaging:	Tray, Box
Packaging Quantity:	60
Weight:	63 g

General Information	
Series:	ESD-SR-HL
Style:	Round - Snap-on
Cable Type:	Round Cable
Description:	EMI Core Split, For Round Cables, Snap-on Core
Features:	High Heat Resistance, Cable Holding Mechanism
RoHS:	Yes
Qualifications:	UL94V-0
Case Color:	Black
Materials:	Ni-Zn

Specifications	
Temperature Range:	-40/+125°C
Effective Frequency:	300 MHz (FM Band Range)

Statements of suitability for certain applications are based on our knowledge of typical operating conditions for such applications, but are not intended to constitute - and we specifically disclaim - any warranty concerning suitability for a specific customer application or use. This Information is intended for use only by customers who have the requisite experience and capability to determine the correct products for their application. Any technical advice inferred from this Information or otherwise provided by us with reference to the use of our products is given gratis, and we assume no obligation or liability for the advice given or results obtained.

KEMET

a YAGEO company