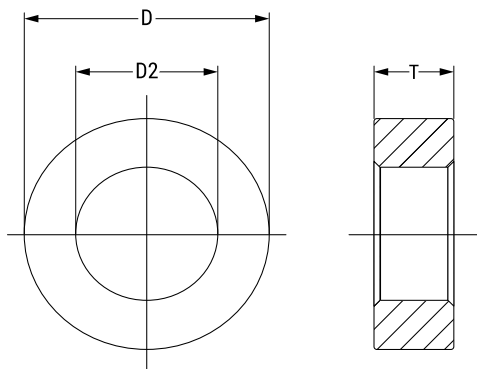


**KEMET Part Number: ESD-R-57SR**  
(UECESDR57SR000)

KEMET, ESD-R-SR, EMI Cores, Noise Suppression



General Information	
<b>Series:</b>	ESD-R-SR
<b>Style:</b>	Round - Toroidal
<b>Cable Type:</b>	Round Cable
<b>Description:</b>	EMI Core Solid, Large-Size Ring Type, For Round Cables
<b>Features:</b>	High Impedance, Effectively Suppresses Radiation at 150 kHz, Low Frequency Noise
<b>RoHS:</b>	Yes
<b>Qualifications:</b>	UL94 V-2
<b>Materials:</b>	Mn-Zn

Dimensions	
<b>D</b>	57mm MAX
<b>D2</b>	36mm +/-1mm
<b>T</b>	20mm +/-0.5mm

Specifications	
<b>Temperature Range:</b>	-25/+85°C
<b>Effective Frequency:</b>	10 MHz (AM Band Range)

Packaging Specifications	
<b>Packaging:</b>	Tray, Box
<b>Packaging Quantity:</b>	60
<b>Weight:</b>	139.5 g