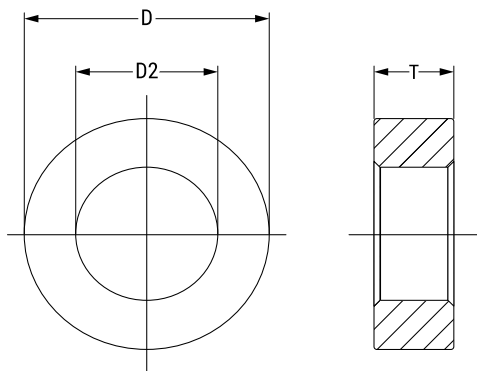


KEMET Part Number: ESD-R-47SR-P
(UECESDR47SRP00)

KEMET, ESD-R-SR, EMI Cores, Noise Suppression



Dimensions

D	48.5mm MAX
D2	26mm MIN
T	16mm MAX

Packaging Specifications

Packaging:	Tray, Box
Packaging Quantity:	100
Weight:	84.3 g

General Information

Series:	ESD-R-SR
Style:	Round - Toroidal
Cable Type:	Round Cable
Description:	EMI Core Solid, Large-Size Ring Type, For Round Cables, Coated Type
Features:	High Impedance, Effectively Suppresses Radiation at 150 kHz, Low Frequency Noise
RoHS:	Yes
Qualifications:	UL94 V-2
Case Color:	Gray
Materials:	Mn-Zn

Specifications

Temperature Range:	-25/+85°C
Effective Frequency:	10 MHz (AM Band Range)