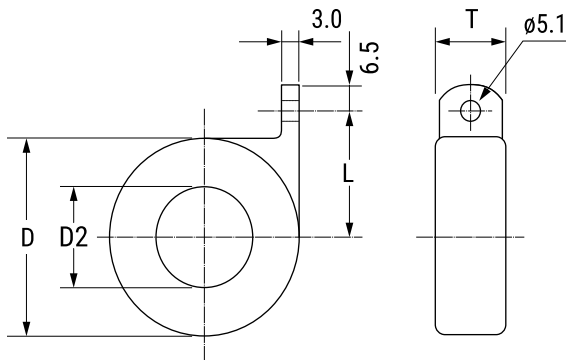


**KEMET Part Number: ESD-R-47D-B**  
(UECESDR47DB000)

**KEMET**  
a YAGEO company

KEMET, ESD-R-B, EMI Cores, Noise Suppression



General Information	
Series:	ESD-R-B
Style:	Round - Snail
Cable Type:	Round Cable
Description:	EMI Core Solid, For Round Cables, Toroidal Cores
Features:	Snail Shaped Case
RoHS:	Yes
Qualifications:	UL94 V-2
Case Color:	Black
Materials:	Ni-Zn

Dimensions	
D	51.5mm +/-0.7mm
D2	25.5mm +/-0.7mm
L	34mm +/-0.7mm
T	17.5mm MAX

Specifications	
Temperature Range:	-25/+60°C
Effective Frequency:	300 MHz (FM Band Range)

Packaging Specifications	
Packaging:	Tray, Box
Packaging Quantity:	90
Weight:	89 g

Statements of suitability for certain applications are based on our knowledge of typical operating conditions for such applications, but are not intended to constitute - and we specifically disclaim - any warranty concerning suitability for a specific customer application or use. This Information is intended for use only by customers who have the requisite experience and capability to determine the correct products for their application. Any technical advice inferred from this Information or otherwise provided by us with reference to the use of our products is given gratis, and we assume no obligation or liability for the advice given or results obtained.

**KEMET**  
a YAGEO company