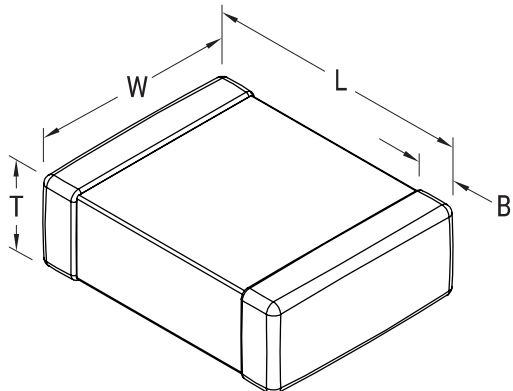


CBR-SMD RF COG, Ceramic, 1.9 pF, +/-0.1 pF, 25 VDC, COG, SMD, Fixed, RF, Ultra High Q, Low ESR, Class I, 0201



| Dimensions | |
|------------|------------------|
| Chip Size | 0201 |
| L | 0.6mm +/-0.03mm |
| W | 0.3mm +/-0.03mm |
| T | 0.3mm +/-0.03mm |
| B | 0.15mm +/-0.05mm |

| Packaging Specifications | |
|--------------------------|--------------------------|
| Packaging: | T&R, 180mm, Plastic Tape |
| Packaging Quantity: | 15000 |

| General Information | |
|---------------------|--|
| Series: | CBR-SMD RF COG |
| Style: | SMD Chip |
| Description: | SMD, Fixed, RF, Ultra High Q, Low ESR, Class I |
| Features: | Ultra High Q, Low ESR, Class I |
| RoHS: | Yes |
| Termination: | Tin |
| Marking: | No |
| AEC-Q200: | No |
| Notes: | Solder Reflow Only. |
| Shelf Life: | 78 Weeks |
| MSL: | 1 |

| Specifications | |
|----------------------------------|---------------------|
| Capacitance: | 1.9 pF |
| Capacitance Tolerance: | +/-0.1 pF |
| Voltage DC: | 25 VDC |
| Dielectric Withstanding Voltage: | 62.5 VDC |
| Temperature Range: | -55/+125°C |
| Temperature Coefficient: | COG |
| Aging Rate: | 0% Loss/Decade Hour |
| Insulation Resistance: | 10 GOhms |
| Quality Factor: | 438 |