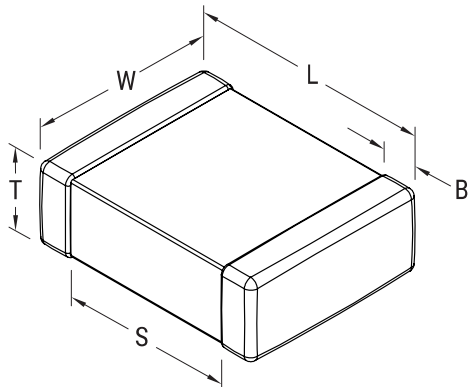


CAS SMD SFTY 250, Ceramic, 4700 pF, 10%, X7R, Industrial Grade, Safety MLCC, X2, 1812



General Information	
Series:	CAS SMD SFTY 250
Style:	SMD Chip
Description:	Industrial Grade, Safety MLCC
RoHS:	Yes
Termination:	Tin
Safety Class:	X2
Qualifications:	ENEC, UL, IEC
AEC-Q200:	No
Halogen Free:	Yes

Dimensions	
Chip Size	1812
L	4.5mm +0.5/-0.3mm
W	3.2mm +/-0.4mm
T	2.5mm +/-0.3mm
S	3.5mm MIN
B	0.5mm +/-0.25mm

Specifications	
Capacitance:	4700 pF
Measurement Condition:	1 kHz 1.0Vrms
Capacitance Tolerance:	10%
Voltage AC:	250 VAC (X2)
Temperature Range:	-55/+125°C
Temperature Coefficient:	X7R
Capacitance Change with Reference to +25°C and 0 VDC Applied (TCC):	15%, 1kHz 1.0Vrms
Dissipation Factor:	2.5% 1 kHz 1.0Vrms
Insulation Resistance:	10 GOhms

Packaging Specifications	
Packaging:	T&R
Packaging Quantity:	500

Statements of suitability for certain applications are based on our knowledge of typical operating conditions for such applications, but are not intended to constitute - and we specifically disclaim - any warranty concerning suitability for a specific customer application or use. This Information is intended for use only by customers who have the requisite experience and capability to determine the correct products for their application. Any technical advice inferred from this Information or otherwise provided by us with reference to the use of our products is given gratis, and we assume no obligation or liability for the advice given or results obtained.