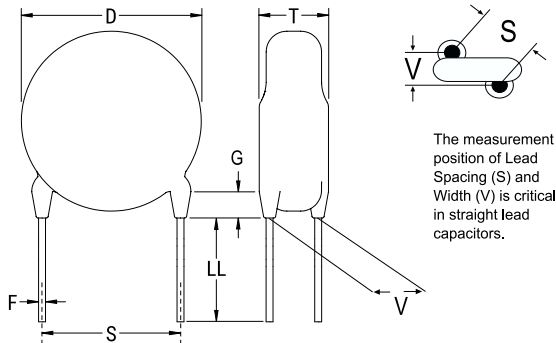


C900AH SFTY X1-400 Y1-250, Ceramic, 4700 pF, 20%, 400 VAC (X1), 250 VAC (Y1), Y5U, Lead Spacing = 10mm



General Information	
Series:	C900AH SFTY X1-400 Y1-250
Style:	Radial Disc
RoHS:	Yes
Termination:	Tin
Failure Rate:	N/A
Qualifications:	UL, ENEC, VDE, CSA, CAN
AEC-Q200:	No
Halogen Free:	Yes

Dimensions	
D	14mm MAX
T	5mm MAX
S	10mm +/-1mm
LL	5mm +/-1mm
F	0.55mm +/-0.1mm
G	3mm MAX

Specifications	
Capacitance:	4700 pF
Capacitance Tolerance:	20%
Voltage AC:	400 VAC (X1), 250 VAC (Y1)
Dielectric Withstanding Voltage:	4000 VDC
Temperature Range:	-40/+125°C
Temperature Coefficient:	Y5U
Dissipation Factor:	2.5%
Insulation Resistance:	10 GOhms
Safety Class:	X1/Y1

Packaging Specifications	
Weight:	1.7 g
Packaging:	Bulk, Bag
Packaging Quantity:	500