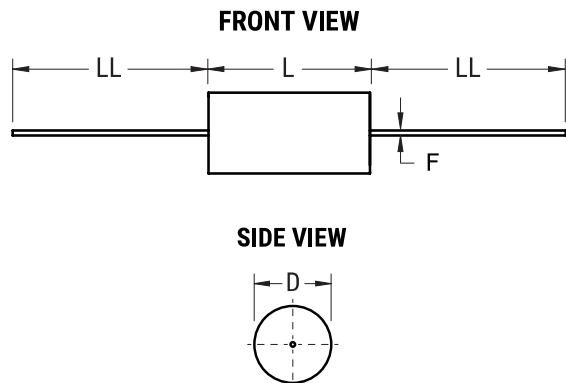


C4C, Film, Metallized Polypropylene, Power, 0.022 uF, 5%, 750 VAC, 3000 VDC, 70°C



Dimensions	
D	17mm NOM
L	33mm NOM
LL	40mm +/-5mm
F	1mm NOM

Packaging Specifications	
Packaging:	Bulk, Bag
Packaging Quantity:	150

General Information	
Series:	C4C
Dielectric:	Metallized Polypropylene
Style:	Axial
RoHS:	Yes
Lead:	Wire Leads
AEC-Q200:	No
Miscellaneous:	Polyester Tape & Resin Protection.

Specifications	
Capacitance:	0.022 uF
Capacitance Tolerance:	5%
Voltage AC:	750 VAC
Voltage DC:	3000 VDC
Temperature Range:	-40/+85°C
Rated Temperature:	70°C
Dissipation Factor:	0.05%
Max dV/dt:	2100 V/us
Resistance:	41.6 mOhms (100kHz)
Ripple Current:	5 Amps (100kHz 70C), 46 Amps (Peak)