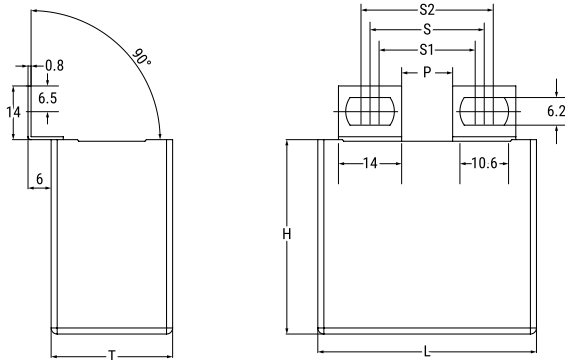


C4BS, Film, Metallized Polypropylene, Power, 2.5 uF, 5%, 600 VAC, 1000 VDC, 70°C, Lead Spacing = 41mm



Dimensions

L	57.5mm +1.2/-0.7mm
H	45mm +0.3/-0.7mm
T	30mm +0.5/-0.7mm
S	41mm +/-0.2mm
S1	37mm +/-0.2mm
S2	45mm +/-0.2mm
P	25mm NOM

Packaging Specifications

Packaging:	Bulk, Bag
Packaging Quantity:	24

General Information

Series:	C4BS
Dielectric:	Metallized Polypropylene
Style:	Radial
Features:	IGBT Circuit
RoHS:	Yes
Lead:	Flat Tabs
AEC-Q200:	No
Miscellaneous:	KEMET Style A Tabs.

Specifications

Capacitance:	2.5 uF
Capacitance Tolerance:	5%
Voltage AC:	600 VAC
Voltage DC:	1000 VDC
Temperature Range:	-40/+85°C
Rated Temperature:	70°C
Max dV/dt:	512 V/us
Resistance:	3.3 mOhms (100kHz)
Ripple Current:	30 Amps (100kHz 70C), 1280 Amps (Peak)
Inductance:	45 nH