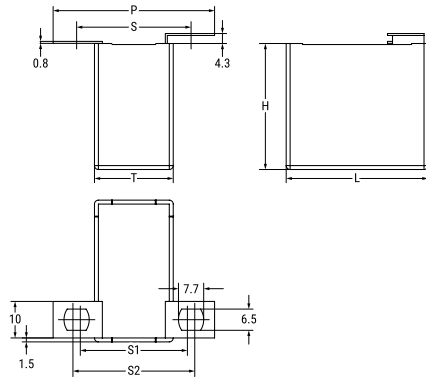


C4BS, Film, Metallized Polypropylene, Power, 1 uF, 5%, 550 VAC, 850 VDC, 70°C, Lead Spacing = 33mm



General Information	
Series:	C4BS
Dielectric:	Metallized Polypropylene
Style:	Radial
Features:	IGBT Circuit
RoHS:	Yes
Lead:	Flat Tabs
AEC-Q200:	No
Miscellaneous:	KEMET Style E Tabs.

Dimensions	
L	41.5mm +1.5/-0.7mm
H	40mm +0.2/-0.7mm
T	20mm +0.4/-0.7mm
S	33mm +/-0.2mm
S1	31mm +/-0.2mm
S2	35mm +/-0.2mm
P	46mm NOM

Specifications	
Capacitance:	1 uF
Capacitance Tolerance:	5%
Voltage AC:	550 VAC
Voltage DC:	850 VDC
Temperature Range:	-40/+85°C
Rated Temperature:	70°C
Max dV/dt:	758 V/us
Resistance:	4 mOhms (100kHz)
Ripple Current:	22 Amps (100kHz 70C), 758 Amps (Peak)
Inductance:	41 nH

Packaging Specifications	
Packaging:	Bulk, Bag
Packaging Quantity:	48