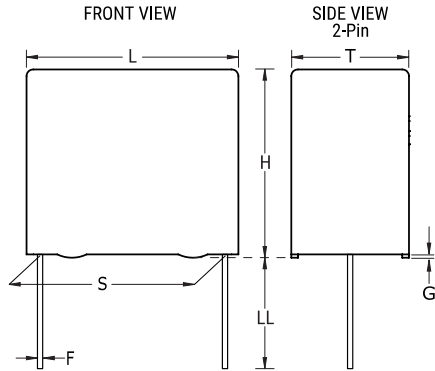


C4AE, Film, Metallized Polypropylene, DC Link, 10 uF, 5%, 600 VDC, 70°C, Lead Spacing = 27.5mm



General Information	
Series:	C4AE
Dielectric:	Metallized Polypropylene
Style:	Radial
RoHS:	Yes
Termination:	Tin
Lead:	Wire Leads
AEC-Q200:	No
Component Weight:	20.8 g
Miscellaneous:	Thermal Resistance = 29 C/W.
Notes:	Not for new design – the replacement series is: C4AQ.

Dimensions	
L	31.5mm +0.5/-0.7mm
H	29mm +0.2/-0.7mm
T	19mm +0.3/-0.7mm
S	27.5mm +/-0.4mm
LL	6mm -2mm
F	0.8mm NOM
G	0.5mm NOM

Specifications	
Capacitance:	10 uF
Capacitance Tolerance:	5%
Voltage DC:	600 VDC
Temperature Range:	-40/+85°C
Rated Temperature:	70°C
Insulation Resistance:	3 GOhms
Max dV/dt:	13 V/us
Resistance:	6.8 mOhms (10kHz 70C)
Ripple Current:	8.5 Amps (10kHz 70C), 127 Amps (Peak)
Inductance:	26 nH

Packaging Specifications	
Packaging:	Bulk, Box