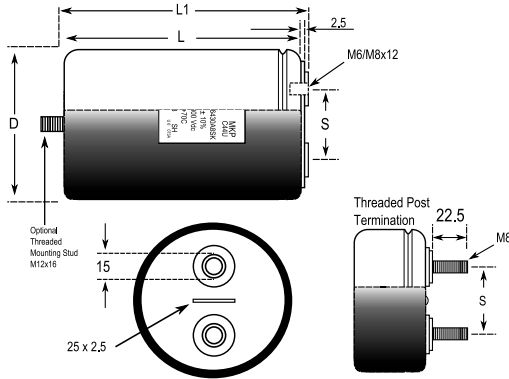


C44U, Film, Metallized Polypropylene, DC Link, 350 uF, 10%, 900 VDC



Dimensions

D	85mm +/-1mm
L	140mm +/-2mm
L1	146mm +/-2mm
S	31.7mm +/-0.2mm

Packaging Specifications

Mounting:	Bolt - M12x16
Packaging:	Bulk, Bag
Packaging Quantity:	5

General Information

Series:	C44U
Dielectric:	Metallized Polypropylene
Style:	Can
Features:	Heavy Duty
RoHS:	With Exemptions
REACH:	SVHC (Pb – CAS 7439-92-1)
SCIP Number:	cc1c1ec4-db9e-4815-b26b-e8a34ddfb776
Lead:	Screw Terminals M6
AEC-Q200:	No
Component Weight:	1000 g
Miscellaneous:	Thermal Resistance = 4.1 C/W. Weight = 833 grams.

Specifications

Capacitance:	350 uF
Capacitance Tolerance:	10%
Voltage DC:	900 VDC
Temperature Range:	-40/+85°C
Rated Temperature:	75°C
Insulation Resistance:	90 MOhms
Max dV/dt:	7 V/us
Resistance:	3 mOhms (10kHz)
Ripple Current:	60 Amps (10kHz 40C), 2450 Amps (Peak)
Inductance:	60 nH