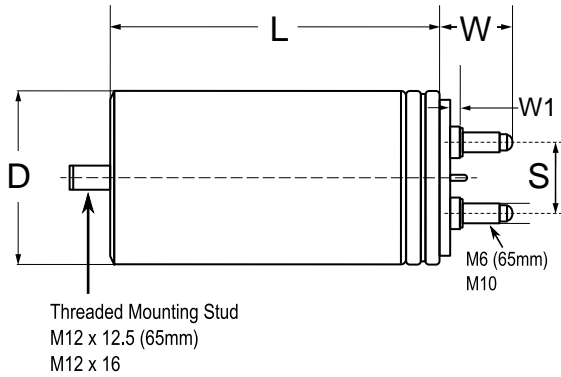


C44H, Film, Metallized Polypropylene, AC Filter, 250 uF, 5%, 440 VAC, 1000 VDC



### Dimensions

<b>D</b>	85mm +/-0.5mm
<b>L</b>	242mm +/-2mm
<b>W</b>	25mm +/-1mm
<b>S</b>	35mm +/-1mm
<b>W1</b>	10mm +/-2mm

### Packaging Specifications

<b>Mounting:</b>	Bolt - M12x16
<b>Packaging:</b>	Bulk, Bag
<b>Packaging Quantity:</b>	5

### General Information

<b>Series:</b>	C44H
<b>Dielectric:</b>	Metallized Polypropylene
<b>Style:</b>	Can
<b>Features:</b>	Single Phase PFC
<b>RoHS:</b>	With Exemptions
<b>REACH:</b>	SVHC (Pb – CAS 7439-92-1)
<b>SCIP Number:</b>	cc1c1ec4-db9e-4815-b26b-e8a34ddfb776
<b>Lead:</b>	Fast On (2+2)
<b>AEC-Q200:</b>	No
<b>Component Weight:</b>	1454 g
<b>Miscellaneous:</b>	Thermal Resistance = 2.8 C/W. Surge Voltage = 1500 VDC.

### Specifications

<b>Capacitance:</b>	250 uF
<b>Capacitance Tolerance:</b>	5%
<b>Voltage AC:</b>	440 VAC
<b>Voltage DC:</b>	1000 VDC
<b>Temperature Range:</b>	-25/+70°C
<b>Rated Temperature:</b>	70°C
<b>Max dV/dt:</b>	20 V/us
<b>Resistance:</b>	2.4 mOhms
<b>Ripple Current:</b>	55 Amps (RMS)
<b>Inductance:</b>	190 nH