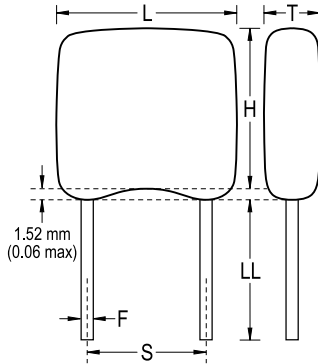


GoldMax 300 Comm Z5U, Ceramic, 0.01 uF, 20%, 50 VDC, Z5U, GoldMax, Commercial Standard, Lead Spacing = 2.54mm



Dimensions

L	3.81mm MAX
H	3.14mm MAX
T	2.54mm MAX
S	2.54mm +/-0.78mm
LL	7mm MIN
F	0.51mm +0.1/-0.025mm

Packaging Specifications

Packaging:	Bulk, Bag
Packaging Quantity:	500

General Information

Series:	GoldMax 300 Comm Z5U
Style:	Radial
Description:	GoldMax, Commercial Standard
RoHS:	Yes
Termination:	Tin
Failure Rate:	N/A
AEC-Q200:	No
Halogen Free:	Yes

Specifications

Capacitance:	0.01 uF
Measurement Condition:	1 kHz 1.0Vrms
Capacitance Tolerance:	20%
Voltage DC:	50 VDC
Dielectric Withstanding Voltage:	125 VDC
Temperature Range:	+10/+85°C
Temperature Coefficient:	Z5U
Capacitance Change with Reference to +25°C and 0 VDC Applied (TCC):	+22%/-56%, 1kHz 1.0Vrms
Dissipation Factor:	4% 1 kHz 1.0Vrms
Aging Rate:	7% Loss/Decade Hour
Insulation Resistance:	10 GOhms