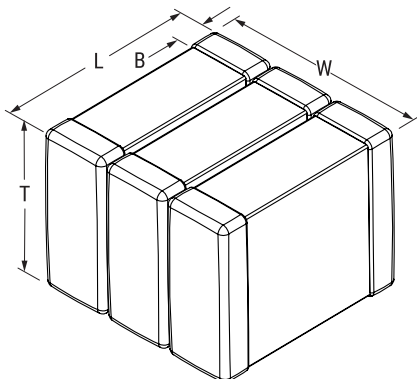


KONNEKT Comm U2J, Ceramic, 1.4 uF, 5%, 50 VDC, U2J



General Information	
Series:	KONNEKT Comm U2J
Style:	KONNEKT
Description:	SMD, MLCC, KONNEKT, Ultra-Stable, Class I
Features:	High Density Packaging
RoHS:	Yes
Termination:	Tin
AEC-Q200:	No
Chip Size:	1812-3
Shelf Life:	78 Weeks
MSL:	1

Dimensions	
L	4.5mm +/-0.3mm
W	5.3mm +/-0.6mm
T	3.2mm +/-0.3mm
B	0.6mm +/-0.35mm

Packaging Specifications	
Packaging:	T&R, 180mm, Plastic Tape
Packaging Quantity:	500

Specifications	
Capacitance:	1.4 uF
Capacitance Tolerance:	5%
Voltage DC:	50 VDC
Dielectric Withstanding Voltage:	125 VDC
Temperature Range:	-55/+125°C
Temperature Coefficient:	U2J
Dissipation Factor:	0.1% 1 kHz 25C
Aging Rate:	0.1% Loss/Decade Hour
Insulation Resistance:	714.29 MOhms

Statements of suitability for certain applications are based on our knowledge of typical operating conditions for such applications, but are not intended to constitute - and we specifically disclaim - any warranty concerning suitability for a specific customer application or use. This Information is intended for use only by customers who have the requisite experience and capability to determine the correct products for their application. Any technical advice inferred from this Information or otherwise provided by us with reference to the use of our products is given gratis, and we assume no obligation or liability for the advice given or results obtained.