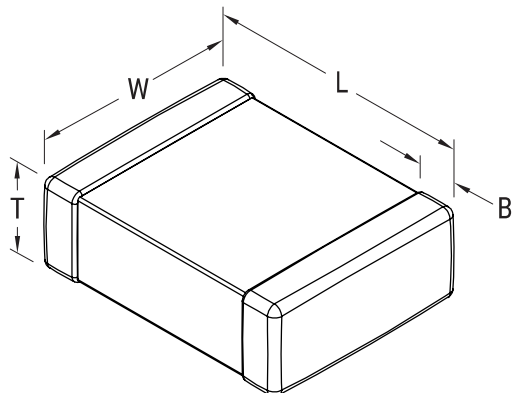


KEMET Part Number: C1812C106M3RACTU
(C1812C106M3RAC7800)

SMD Comm X7R, Ceramic, 10 uF, 20%, 25 VDC, X7R, SMD, MLCC, Temperature Stable, Class II, 1812



Dimensions

Chip Size		1812
L		4.5mm +/-0.3mm
W		3.2mm +/-0.3mm
T		1.6mm +/-0.20mm
B		0.6mm +/-0.35mm

Packaging Specifications

Packaging:	T&R, 180mm, Plastic Tape
Packaging Quantity:	1000

General Information

Series:	SMD Comm X7R
Style:	SMD Chip
Description:	SMD, MLCC, Temperature Stable, Class II
Features:	Temperature Stable, Class II
RoHS:	Yes
Termination:	Tin
Marking:	No
AEC-Q200:	No
Component Weight:	185 mg
Shelf Life:	78 Weeks
MSL:	1

Specifications

Capacitance:	10 uF
Measurement Condition:	1 kHz 1.0Vrms
Capacitance Tolerance:	20%
Voltage DC:	25 VDC
Dielectric Withstanding Voltage:	62.5 VDC
Temperature Range:	-55/+125°C
Temperature Coefficient:	X7R
Capacitance Change with Reference to +25°C and 0 VDC Applied (TCC):	15%, 1kHz 1.0Vrms
Dissipation Factor:	3.5% 1 kHz 1.0Vrms
Aging Rate:	3% Loss/Decade Hour: Referee Time is 1000 Hours
Insulation Resistance:	50 MOhms