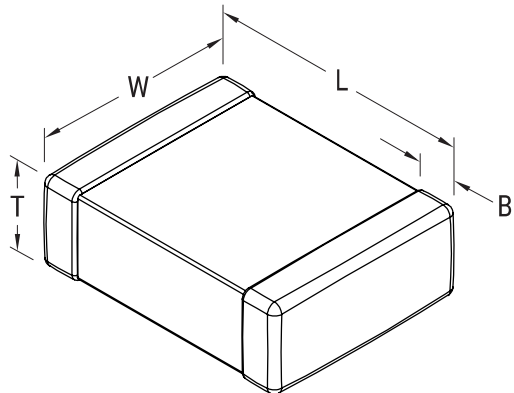


KEMET Part Number: M3253506E2Z225KZMB
(C1210K225K3RML)

SMD MIL X7R PRF32535, Ceramic, 2.2 uF, 10%, 25 VDC, X7R, SMD, Military, Low ESR, MIL-PRF-32535, N/A, 1210



Dimensions	
Chip Size	1210
L	3.2mm +/-0.25mm (0.126 in +/-0.01 in)
W	2.49mm +/-0.25mm (0.098 in +/-0.01 in)
T	2.79mm MAX (0.11 in MAX)
B	0.51mm +/-0.36mm (0.02 in +/-0.014 in)

Packaging Specifications	
Weight:	108 mg
Packaging:	Waffle
Packaging Quantity:	80

General Information	
Series:	SMD MIL X7R PRF32535
Style:	SMD Chip
Description:	SMD, Military, Low ESR, MIL-PRF-32535
RoHS:	No
Prop 65:	⚠ WARNING: Cancer and reproductive harm - www.p65warnings.ca.gov .
REACH:	SVHC (Pb – CAS 7439-92-1)
Termination:	Solder Plated
Failure Rate:	N/A
Qualifications:	MIL-PRF-32535
AEC-Q200:	No

Specifications	
Capacitance:	2.2 uF
Capacitance Tolerance:	10%
Voltage DC:	25 VDC
Dielectric Withstanding Voltage:	62.5 VDC
Temperature Range:	-55/+125°C
Temperature Coefficient:	X7R
Dissipation Factor:	3.50% 1kHz 25C
Aging Rate:	3% Loss/Decade Hour
Insulation Resistance:	450 MOhms

Statements of suitability for certain applications are based on our knowledge of typical operating conditions for such applications, but are not intended to constitute - and we specifically disclaim - any warranty concerning suitability for a specific customer application or use. This Information is intended for use only by customers who have the requisite experience and capability to determine the correct products for their application. Any technical advice inferred from this Information or otherwise provided by us with reference to the use of our products is given gratis, and we assume no obligation or liability for the advice given or results obtained.