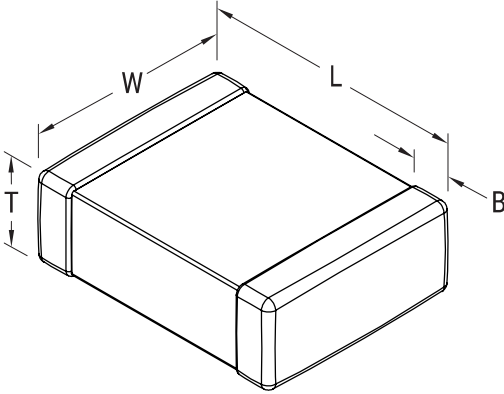


SMD Comm X7R, Ceramic, 22 uF, 20%, 25 VDC, X7R, SMD, MLCC, Temperature Stable, Class II, 1210



Dimensions

Chip Size	1210
L	3.2mm +/-0.3mm
W	2.5mm +/-0.22mm
T	2.5mm +/-0.30mm
B	0.5mm +/-0.25mm

Packaging Specifications

Packaging:	T&R, 330mm, Plastic Tape
Packaging Quantity:	4000

General Information

Series:	SMD Comm X7R
Style:	SMD Chip
Description:	SMD, MLCC, Temperature Stable, Class II
Features:	Temperature Stable, Class II
RoHS:	Yes
Termination:	Tin
Marking:	No
AEC-Q200:	No
Shelf Life:	78 Weeks
MSL:	1

Specifications

Capacitance:	22 uF
Measurement Condition:	120 Hz 0.5Vrms
Capacitance Tolerance:	20%
Voltage DC:	25 VDC
Dielectric Withstanding Voltage:	62.5 VDC
Temperature Range:	-55/+125°C
Temperature Coefficient:	X7R
Capacitance Change with Reference to +25°C and 0 VDC Applied (TCC):	15%, 120Hz 0.5Vrms
Dissipation Factor:	10% 120 Hz 0.5Vrms
Aging Rate:	3% Loss/Decade Hour: Referee Time is 48 Hours
Insulation Resistance:	4.5 MOhms